

# COBRA

Screw Vacuum Pumps  
NX 0450/0650 A



- › **Advanced Screw Design**
- › **Efficient:**  
low energy consumption,  
minimal maintenance,  
minimized operating costs
- › **Robust:**  
high vapor and particle  
tolerance, self-draining
- › **Compact Design**
- › **Quiet Operation**

The COBRA NX is a series of high-performance and robust dry screw vacuum pumps for industrial applications. These vacuum generators are in use wherever gases and vapors need to be pumped reliably. The proven, completely dry screw vacuum technology allows the COBRA NX to run without operating fluids in the compression chamber. In practice this means no contamination of the pumped medium, and no environmental emissions. In addition, no costs arise for the purchase, replacement and disposal of operating fluids. Maintenance tasks such as oil changes or filter replacement are no longer required or are reduced to a minimum.

Vacuum pumps of the COBRA NX series are robust, extremely reliable and highly efficient – and the most advanced screw vacuum pumps on the market today. They operate efficiently throughout their vacuum range, and deliver constantly high pumping speeds.

COBRA NX dry screw vacuum pumps feature dry compression, a specially developed screw profile, and unimpeded gas discharge. The result is a high degree of vapor and

particle tolerance. Their design ensures an even heat distribution over the whole pump stage, reducing thermal stress and increasing service life.

The screws are manufactured from a single-piece casting avoiding any gaps, making it impossible for process fluids or particles to enter, and thereby preventing contamination.

The compact dimensions of the COBRA NX permit installation in confined spaces. Its modular construction allows simple combination with Panda vacuum boosters by Busch, which can be fitted directly by a flange connection. The COBRA NX / vacuum booster combination improves both ultimate pressure and pumping speed significantly, making it the perfect combination for medium vacuum applications.

#### Applications

- Heat treatment
- Coating
- Vacuum drying
- Vacuum packaging
- Degassing

**COBRA NX –  
the all-round solution  
for industrial  
vacuum applications.**



COBRA NX 0450 A

# COBRA

## Screw Vacuum Pumps NX 0450/0650 A



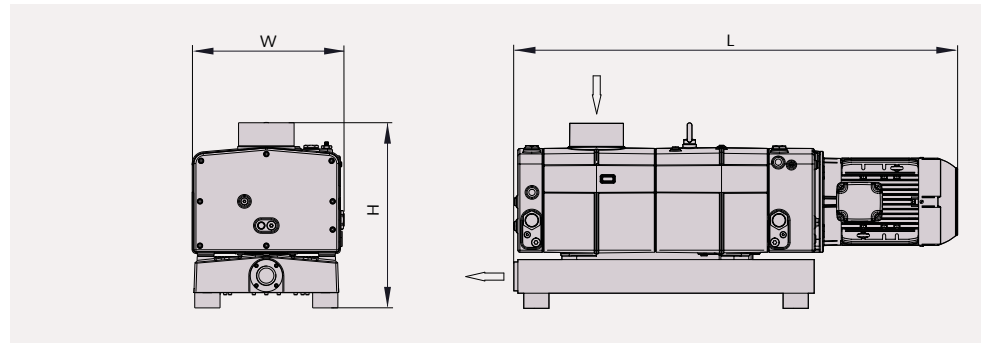
### Technical specifications

Two screw rotors inside the cylinder of the COBRA NX rotate in opposite directions. The pumped medium is trapped between the cylinder and screw chambers, compressed, and transported to the gas outlet. During the compression process the screw rotors do not come into contact with each other or the cylinder. Thus, no lubricants or operating fluids are required in the compression chamber. COBRA NX series vacuum pumps use efficient water cooling resulting in an even temperature distribution throughout the pump body, and guaranteeing thermal stability throughout the process.

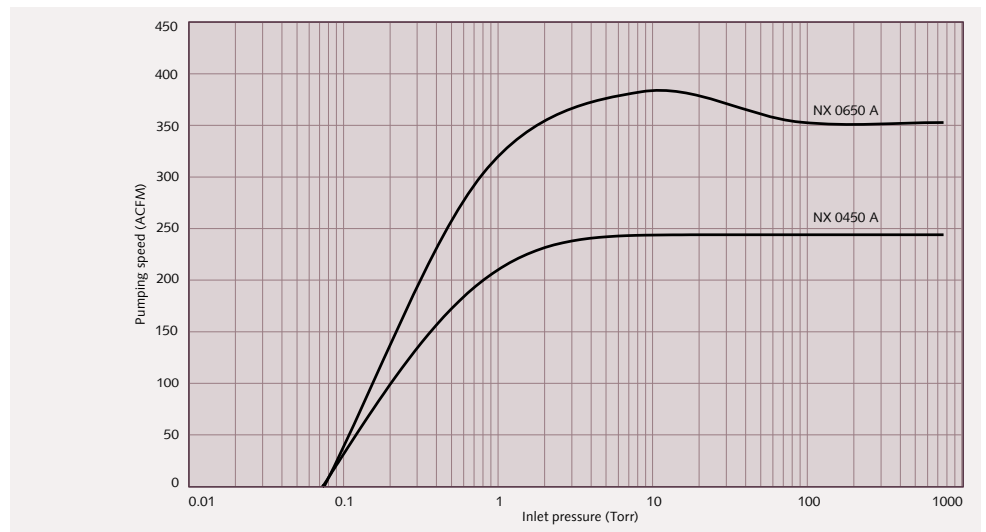
### Accessories / Technical options

- Sealing gas supply for seals used with applications particularly subject to damp or dust
- Gas-ballast valve to increase water vapor tolerance
- Exhaust gas silencer to reduce noise

### COBRA NX 0450/0650 A



### Pumping speed Air at 70 °F. Tolerance: ± 10%



Technical data		NX 0450 A	NX 0650 A
Max. pumping speed	ACFM	247	383
Ultimate pressure	Torr	≤ 0.075	≤ 0.075
Nominal motor rating	kW (HP)	9.5 (12.7)	17 (22.8)
Nominal motor speed	RPM	3600	3600
Sound level (ISO 2151)	dB(A)	70	75
Approximate weight	Lbs.	1100	1540
Dimensions (L x W x H)	inches	52 x 17 3/4 x 21 11/16	59 7/8 x 20 5/8 x 24 1/2
Gas inlet		G 3" / ISO-F DN 100	G 3" / ISO-F DN 100
Gas outlet		G 2" / ISO-F DN 63	G 3" / ISO-F DN 100

All performance data is based on ambient conditions of 14.7 PSIA and 70 °F, and has a tolerance of ± 10%.

### Busch LLC

516 Viking Drive | Virginia Beach, VA 23452 | Phone 757-463-7800 | info@buschusa.com | www.buschusa.com

Argentina Australia বাংলাদেশ België Brasil Canada Česko Chile 中国 Colombia Danmark Deutschland España France भारत गणराज्य Ireland ישראל Italia 日本 대한민국 Magyarország Malaysia México Nederland New Zealand Norge Österreich Perú Polska Portugal România Россия Schweiz Singapore South Africa Suomi Sverige 台湾 ประเทศไทย Türkiye الإمارات العربية المتحدة United Kingdom USA

Technical data is subject to change. Created in Germany. MG PL COBRANX04500650A USenur 12/2017 78c