

R 5

Rotary Vane Vacuum Pumps RD 0200–0360 A



› Efficient:

low operating costs, high uptime, energy-efficient, reduced heat emission, optimized heat direction

› Flexible:

application-oriented, multi-directional horizontal inlet flange, optimized for fast packaging cycles

› Easy Servicing:

all service relevant parts on one side, service routine significantly faster, smooth surface design for easy cleaning

› Reliable:

robust construction, highly resilient carbon fibre vanes, proven performance

RD series vacuum pumps belong to the Busch product family of proven R 5 rotary vane vacuum pumps. They have been specifically designed for use in vacuum packaging machines and fast packaging cycles.

Robustness and reliability of operation are the outstanding qualities of R 5 rotary vane vacuum pumps. These are just some of the reasons why proven Busch rotary vane technology has long established itself as the industry standard. Over 3 million R 5 rotary vane vacuum pumps are in operation worldwide in industry every day.

High efficiency is the outstanding quality of this product family. The R 5 RD series outperforms any comparable rotary vane vacuum pump on the market by more than 20% in terms of energy efficiency.

Heat emission has also been reduced, and the cooling air may be directed downward through a newly developed cooling air

deflector (option). Reduced heat emission and optimized heat discharge contribute to a low ambient temperature.

Maintenance can easily be carried out by the operator. Apart from changing oil and filters at regular service intervals, no further maintenance is required. As all service relevant components are mounted on one side of the vacuum pump for easier access, the service routine becomes significantly faster. Moreover, the smooth surface design facilitates cleaning.

Rotary vane technology has been continuously developed and optimized by Busch in the course of over 50 years, always with a strong focus on economy and reliability of operation.

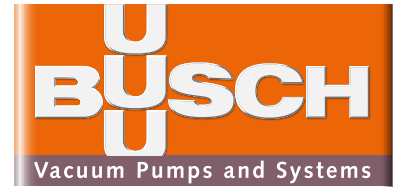
R 5 rotary vane vacuum pumps stand for advanced and energy-efficient vacuum generation in a wide variety of applications in industry throughout the world. You can always rely on the R 5 – whether used intermittently or around the clock.

**R 5 – proven and reliable.
Over 3 million pumps
in operation worldwide.**



R 5

Rotary Vane Vacuum Pumps RD 0200–0360 A



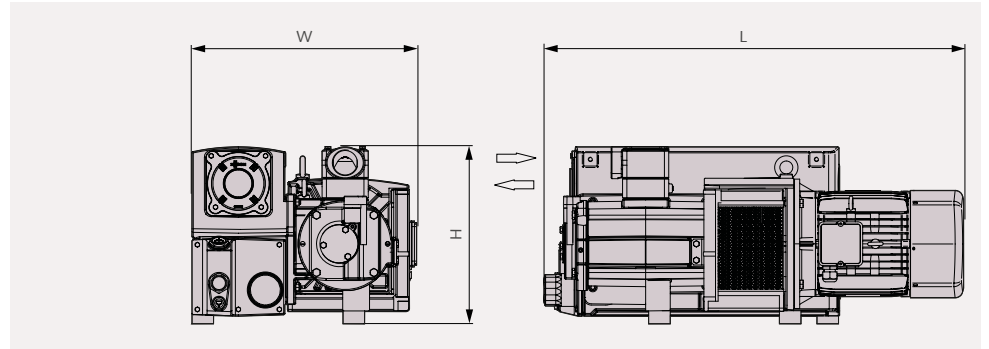
Technical specifications

Rotary vane technology is synonymous with a robust, functional construction. R 5 rotary vane vacuum pumps are characterized by an optimum design and perfectly synchronized components and materials. The constantly high vacuum level in continuous operation is ensured by recirculating oil lubrication and state-of-the-art precision manufacturing. A sophisticated oil separator ensures efficient use of oil. Because the vacuum pump is fitted with a gas-ballast valve, even large quantities of vapor can be extracted. A non-return valve in the inlet flange prevents the pumped medium from flowing back into the vacuum process after the vacuum pump is switched off. The vacuum pump is driven by a directly flange-mounted standard electric motor, with an efficiency class of IE3.

Accessories / Technical options

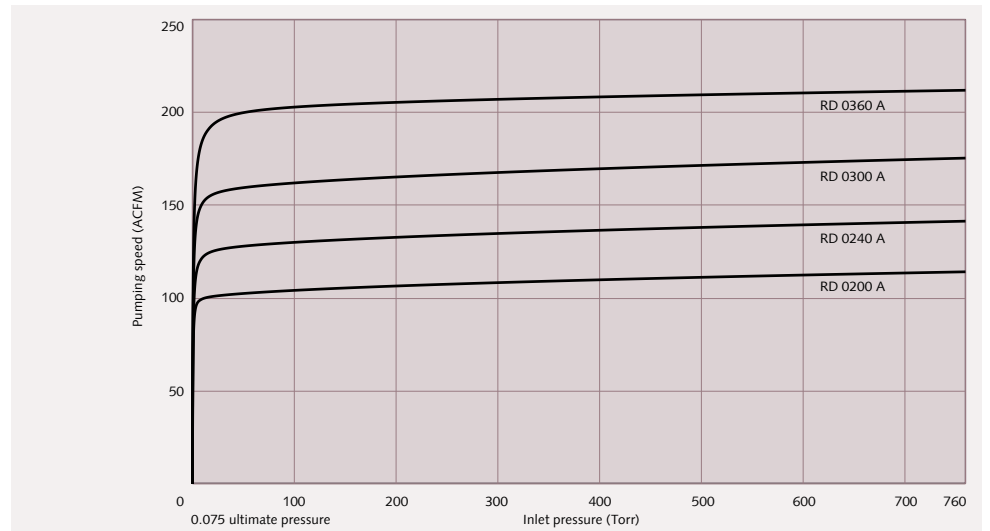
- Vertical inlet
- Larger gas-ballast valve
- Various inlet filters
- Adapter flange for vacuum booster
- Filter pressure gauge
- Cooling air deflector
- G 2" exhaust connection flange
- Energy recuperation kit with heat exchanger
- Vacuum pump oils for all applications
- Oil level switch
- Temperature sensors
- Starter unit

R 5 RD 0200–0360 A



Pumping speed

Air at 70 °F. Tolerance: ± 10%



Technical data		R 5 RD 0200 A	R 5 RD 0240 A	R 5 RD 0300 A	R 5 RD 0360 A
Max. pumping speed	ACFM	112	141	177	212
Ultimate pressure	Torr	0.075*	0.075*	0.075*	0.075*
Nominal motor rating	kW (HP)	4.2 (5.6)	5.3 (7.1)	6.6 (8.9)	6.6 (8.9)
Power consumption at 75 Torr	kW (HP)	3.8 (5.1)	4.3 (5.8)	5.6 (7.6)	6.3 (8.4)
Power consumption at ultimate pressure	kW (HP)	2.9 (3.9)	3.0 (4.0)	4.0 (5.4)	4.2 (5.6)
Nominal motor speed	RPM	1800	1800	1800	1800
Sound level (ISO 2151)	dB(A)	70	72	72	72
Oil capacity	Qts.	7.5	7.5	7.5	7.5
Approximate weight	Lbs.	386	386	419	419
Dimensions (L x W x H)	inches	32 1/16 x 20 1/16 x 16 1/8	32 1/16 x 20 1/16 x 16 1/8	39 x 20 7/8 x 16 1/8	39 x 20 7/8 x 16 1/8
Gas inlet		G 2"	G 2"	G 2"	G 2"

All performance data is based on ambient conditions of 14.7 PSIA and 70 °F, and has a tolerance of ± 10%.
* 0.375 Torr with standard gas-ballast valve open

Busch LLC

516 Viking Drive | Virginia Beach, VA 23452 | Phone 757-463-7800 | info@buschusa.com | www.buschusa.com

Argentina Australia Austria Bangladesh Belgium Brazil Canada Chile China Colombia Czech Republic Denmark Finland France Germany Hungary India Ireland Israel Italy Japan Korea Malaysia Mexico Netherlands New Zealand Norway Peru Poland Portugal Romania Russia Singapore South Africa Spain Sweden Switzerland Taiwan Thailand Turkey United Arab Emirates United Kingdom USA

Technical data is subject to change. Created in Germany. MG PL R5RD0200360A USenU 04/2018 88a