

NTBT

NASON

NEW THINKING

Pressure Transducer — with Wireless Bluetooth



DESCRIPTION

Another industry first! The first Bluetooth®-certified wireless pressure transducer with long battery life and patent-pending design makes the NTBT a perfect fit for many applications for Industrial and Home Automation. Download the free app, install the transducer and wirelessly connect — no confusing wiring to figure out.

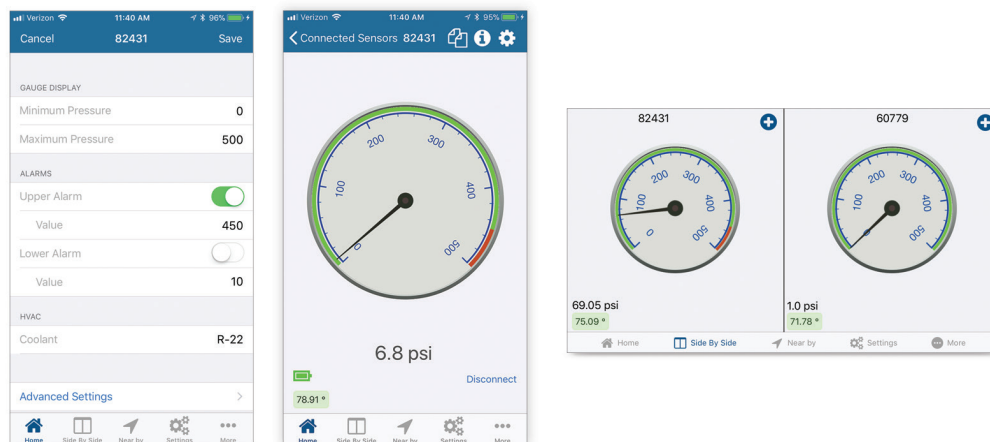
Choose the NTBT for virtually anywhere you'd like to monitor pressure without the use of wires — from pneumatic systems, mobile hydraulics, residential and commercial applications to water, hydraulic, irrigation, pools, medical and sprinkler systems. Because it is built on Nason proprietary technology, the NTBT ensures high quality and high accuracy with Nason's quick deliveries and low costs.

FEATURES

- Connects to smart phones and tablets with BLE (*Bluetooth® Low Energy*)
- Certified Bluetooth® wireless technology
- Pressure ranges from vacuum to 10,000 psi
- Long battery life (*proprietary technology*)
- 1% standard accuracy with optional 0.25% ultra high accuracy
- Stainless steel and high-impact polycarbonate construction
- Alarm set points
- Secure field programmable naming
- Patent-pending design
- Schrader, NPT, SAE and G ¼ pressure connection

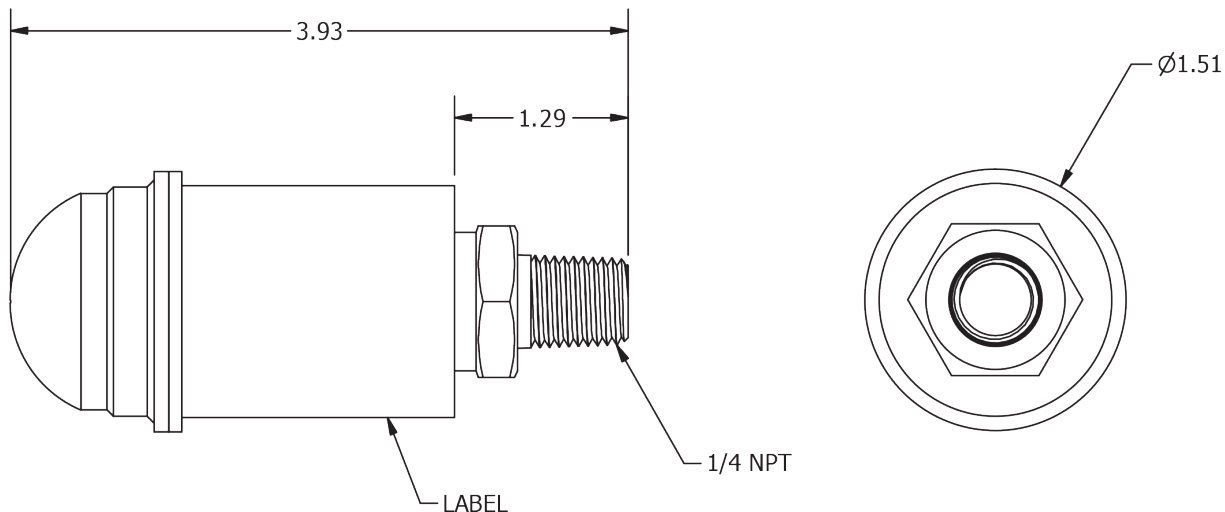
NASON TRANSDUCERS APP

Free download at the Apple iTunes App Store and Google Play



Specifications may change without notice. The information we supply is believed to be accurate and reliable as of this printing. However, we assume no responsibility for its use. While we provide application assistance personally, through our literature and the Nason website, it is up to the customer to determine the suitability of the product in the application.

DRAWING



REGULATORY COMPLIANCE

This equipment has been tested and found to comply with the limits for a Class B digital device, pursuant to part 15 of the FCC Rules. These limits are designed to provide reasonable protection against harmful interference in a residential installation. This equipment generates, uses and can radiate radio frequency energy and, if not installed and used in accordance with the instructions, may cause harmful interference to radio communications. However, there is no guarantee that interference will not occur in a particular installation. If this equipment does cause harmful interference to radio or television reception, which can be determined by turning the equipment off and on, the user is encouraged to try to correct the interference by one or more of the following measures:

- Reorient or relocate the receiving antenna.
- Increase the separation between the equipment and receiver.
- Connect the equipment to an outlet on a circuit different from that to which the receiver is connected.
- Consult the dealer or an experienced radio/TV technician for help.

Operation of this equipment in a residential area is likely to cause harmful interference in which case the user will be required to correct the interference at his own expense.

This device complies with Part 15 of the FCC Rules. Operation is subject to the two following conditions:
(1) this device may not cause harmful interference, and
(2) this device must accept any interference received, including interference that may cause undesired operation.

Changes or modifications not expressly approved by Nason could void the user's authority to operate the equipment.

FCC ID: 2ACGE-TDWLBG2

This device complies with Industry Canada licence-exempt RSS standard(s) / CNR of Industry Canada for licence exempt radio devices.

Exploitation is entitled to the following two conditions:
(1) the device does not produce interference, and
(2) the device must accept any radio interference suffered, even if the interference is likely to jeopardize the operation.

IC: 12056A-TDWLBG2

SPECIFICATIONS

PERFORMANCE @ 25° C (77° F)	
Pressure Accuracy:	0.25% or 0.2 psi, whichever is greater, 1% BFSL
Overrange Protection:	2x Rated Pressure
Pressure Range:	see ordering chart - up to 10,000 psi (690 bar)
Burst Pressure:	5x or 20,000 psi, whichever is less
Pressure Cycle:	>100 million
Update Time:	Bluetooth® wireless technology (1sec)

ENVIRONMENTAL DATA

Compensated Temperatures:	-10° to 85° C (14 to 185° F)
Operating Temperatures:	-40° to 85° C (-40° to 185° F)
Storage:	-40° to 125° C (-40° to 257° F) without battery
TEB:	3% BFSL (includes: Non-linearity, Hysteresis and Non-repeatability)
Long Term Drift:	0.2% FS/year (non-cumulative)
Shock:	50g, 11 ms, 1/2 sine
Vibration:	10g, peak, 20 to 2400 Hz
EMI/FRI Protection:	Yes
Ingress Rating:	IP-67

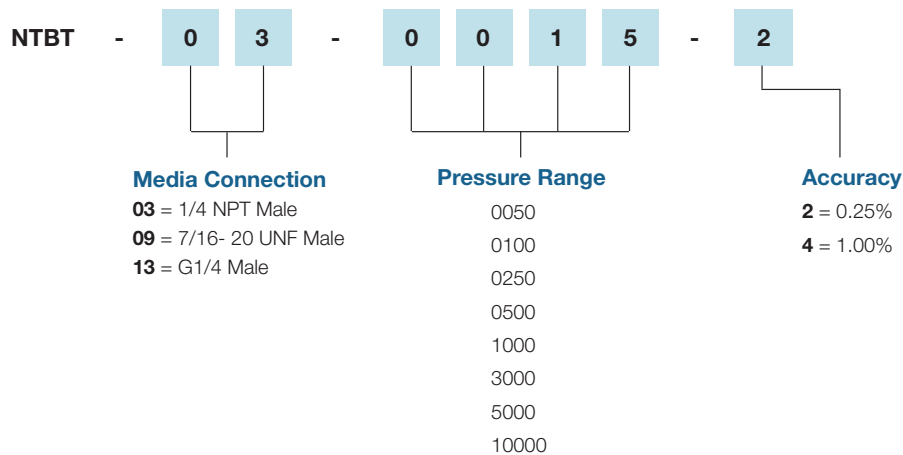
MECHANICAL CONFIGURATION

Pressure Connection:	1/4 NPT Male, 7/16-20 UNF Male, G1/4 Male
Wetted Material:	17-4PH stainless steel (for other materials consult factory)
Case:	(housing) 304 stainless steel and high-impact polycarbonate

ELECTRICAL DATA

Power Supply:	3.6V Proprietary replacement battery, battery life: 24 months, typical. Battery life is affected by high and low temperatures.
Battery Removal:	If battery pack is removed, you must wait 90 seconds to reinstall or unit may lock up.
Connection Distance:	250 feet (line of sight)
Compatible Devices:	<p>Software: Android - (Version 4.3 or later) iOS - (Current version and previous one)</p> <p>Hardware: Android - Device supports Bluetooth Smart (Version 4.0 and later) iPad Gen 3 - (released March 16, 2012) iPad Gen 4 - (released November 2, 2012) iPad Mini Gen 1 - (released November 2, 2012) iPad Mini Gen 2 - (released November 12, 2013) iPad Air - (released November 1, 2013) iPhone 5 - (released September 21, 2012) iPhone 5C, 5S - (released September 20, 2013)</p>

ORDERING



NASON

N E W T H I N K I N G

1307 S Highway 11 • Walhalla SC 29691
800.229.4955 • Phone: 864.638.9521
Fax: 864.638.7903 • Orders: 800.229.4955

www.nasonptc.com