

# Vacuum Systems

## Mink Dry Claw Vacuum Pump Series

Duplex Tank Mounted Systems (Models MM 1104 and MM 1142)



### Expect the Best with Busch

Combining years of system design experience with process vacuum know-how, Busch engineers have designed ideal standard system solutions for general industrial and laboratory applications. Using modern 3D design software, each system has gone through a digital design and modeling process to ensure component selection, fit and purpose. Each system is engineered using only high quality components and materials, resulting in a system that meets or exceeds the latest technical standards.

Busch standard systems are pre-engineered, providing a cost-effective system solution for a wide range of processes and applications. Standard systems are available in multiple configurations, with options for pump technologies, controls and accessories.

Centrally located Busch Mink MM dry running, contact-free vacuum systems reduce both maintenance and energy costs compared to multiple point-of-use vacuum pumps.

### Duplex Standard Design Features

- Space saving tank mounted design with drain valve
- Control panel with touchscreen and PLC with alternating logic
- Inlet particulate filter and vacuum gauges
- 24 VDC instrumentation and control wiring
- Main non-fused disconnect switch
- Pressure transmitter
- Automatic air purge

### Configuration Dependent Features

- Pump isolation valve (actuated pneumatically or electrically)
- 3-phase power supply of 230 or 460 Volt



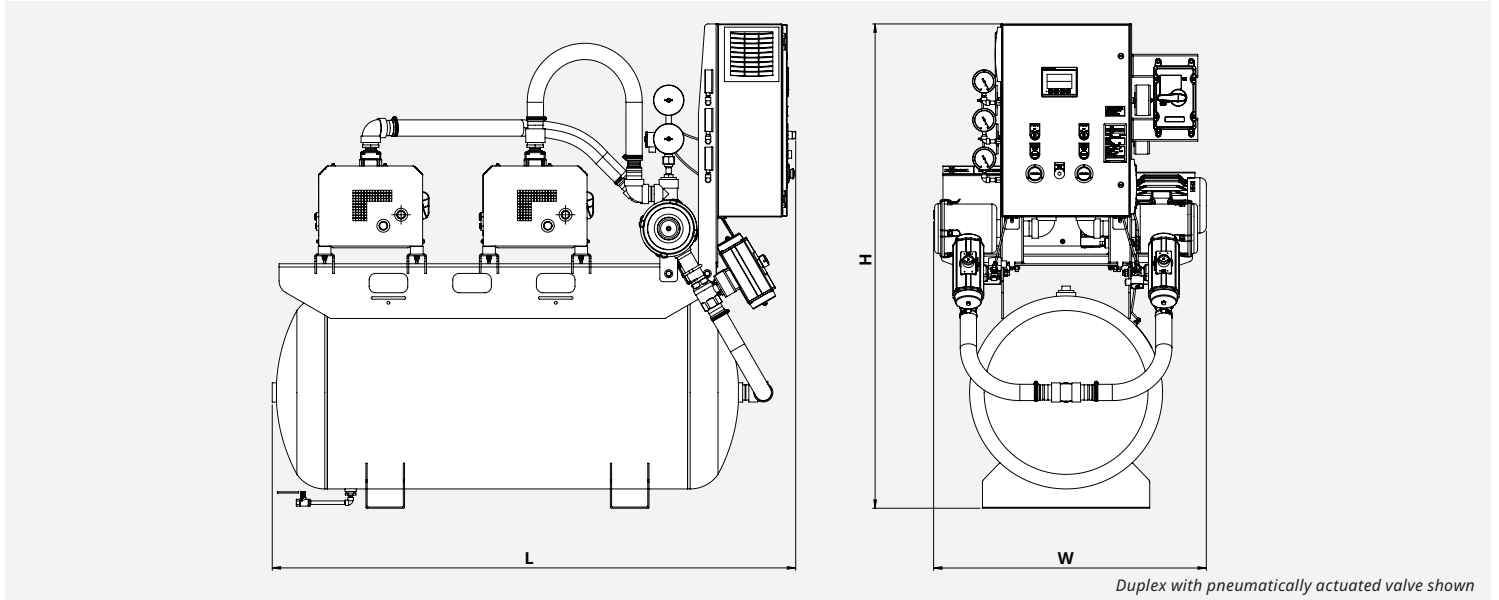
# Vacuum Systems

## Mink Dry Claw Vacuum Pump Series

Duplex Tank Mounted Systems (Models MM 1104 and MM 1142)



### Specifications

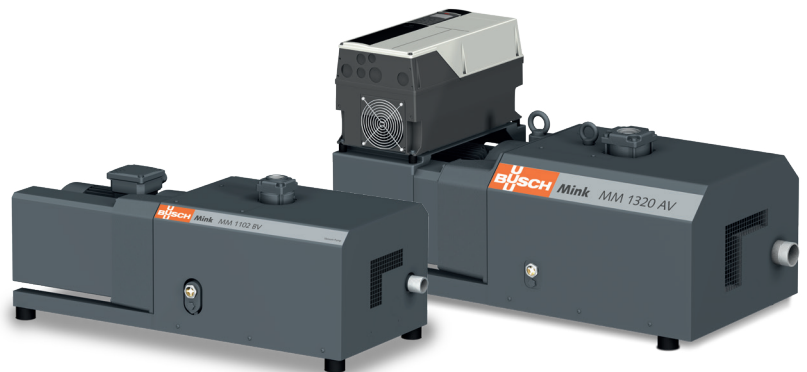


Duplex with pneumatically actuated valve shown

Vacuum Pump Model	Isolation Valve Type	Motor (HP)	Nominal Pumping Speed (ACFM)	End Pressure("Hg)	Tank (Gal)	Dimensions (in) L x W x H	Weight (Lbs)
MM 1104	Air or Electric	2	44	28.2	200	81 x 43 x 75	1950
MM 1144	Air or Electric	3	57	28.2	200	81 x 43 x 75	1950
MM 1102	Air or Electric	4	79	28.2	200	81 x 43 x 75	1950
MM 1142	Air or Electric	5	103	28.2	200	81 x 43 x 75	1950

### Manufacturing

ISO 9001 Registered and committed to quality. Busch vacuum systems are manufactured at our U.S. headquarters in Virginia Beach, VA. Our state-of-the-art equipment and production facility is combined with qualified assembly technicians and extensive system knowledge and experience to provide you with the highest quality, most reliable system solution available today.



### Busch LLC

516 Viking Drive | Virginia Beach, VA 23452 | Phone 757-463-7800 | info@buschusa.com | www.buschusa.com

Argentina Australia Austria Belgium Brazil Canada Chile China Czech Republic Denmark Finland France Germany Hungary India Ireland Israel Italy Japan Korea Malaysia