

Vacuum Systems

Mink Dry Claw Vacuum Pump Series

Duplex Tank Mounted Systems (Models MM 1202 to MM 1324)



Expect the Best with Busch

Combining years of system design experience with process vacuum know-how, Busch engineers have designed ideal standard system solutions for general industrial and laboratory applications. Using modern 3D design software, each system has gone through a digital design and modeling process to ensure component selection, fit and purpose. Each system is engineered using only high quality components and materials, resulting in a system that meets or exceeds the latest technical standards.

Busch standard systems are pre-engineered, providing a cost-effective system solution for a wide range of processes and applications. Standard systems are available in multiple configurations, with options for pump technologies, controls and accessories.

Centrally located Busch Mink MM dry running, contact-free vacuum systems reduce both maintenance and energy costs compared to multiple point-of-use vacuum pumps.

Duplex Standard Design Features

- Space saving tank mounted design with drain valve
- Control panel with touchscreen and PLC with alternating logic
- Inlet particulate filter and vacuum gauges
- 24 VDC instrumentation and control wiring
- Main non-fused disconnect switch
- Pressure transmitter
- Automatic air purge

Configuration Dependent Features

- Pump isolation valve (actuated pneumatically or electrically)
- 3-phase power supply of 230 or 460 Volt



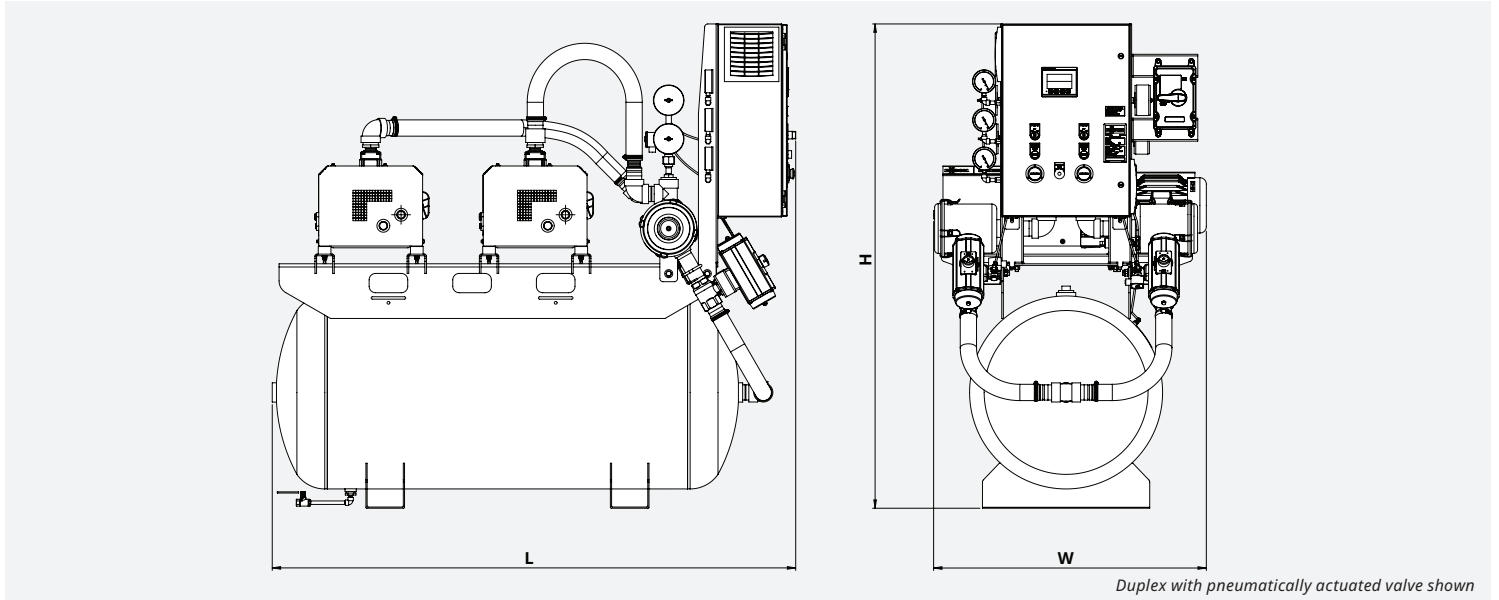
Vacuum Systems

Mink Dry Claw Vacuum Pump Series

Duplex Tank Mounted Systems (Models MM 1202 to MM 1324)



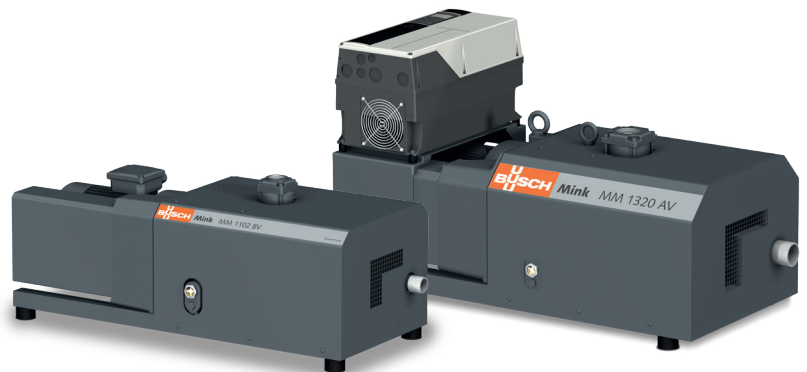
Specifications



Vacuum Pump Model	Isolation Valve Type	Motor (HP)	Nominal Pumping Speed (ACFM)	End Pressure("Hg)	Tank (Gal)	Dimensions (in) L x W x H	Weight (Lbs)
MM 1324	Air or Electric	5	112	28.2	200	81 x 44 x 75	2300
MM 1202	Air or Electric	6.4	141	27	200	81 x 45 x 75	2300
MM 1252	Air or Electric	7.5	170	27	200	81 x 44 x 75	2300
MM 1322	Air or Electric	9	212	25.5	200	81 x 47 x 75	2300

Manufacturing

ISO 9001 Registered and committed to quality. Busch vacuum systems are manufactured at our U.S. headquarters in Virginia Beach, VA. Our state-of-the-art equipment and production facility is combined with qualified assembly technicians and extensive system knowledge and experience to provide you with the highest quality, most reliable system solution available today.



Busch LLC

516 Viking Drive | Virginia Beach, VA 23452 | Phone 757-463-7800 | info@buschusa.com | www.buschusa.com

Argentina Australia Austria Belgium Brazil Canada Chile China Czech Republic Denmark Finland France Germany Hungary India Ireland Israel Italy Japan Korea Malaysia