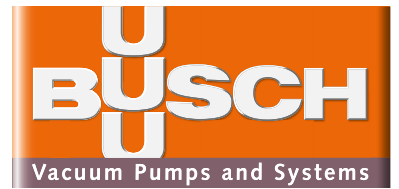


Dolphin

Liquid Ring Vacuum Pumps
LT 0130–0220 A



- › **Robust:**
proven technology, high particle and vapor tolerance
- › **Compact:**
direct flanged motor, no base frame required, integrated flow channel
- › **Flexible:**
application-oriented, operating fluids other than water are possible, ATEX certified version available (Cat. 1 (i) IIB, T4), corrosion-free stainless steel impeller, choice of cast iron (EN-GJL-200) or 316 grade stainless steel material housings

Dolphin LT is the new generation of liquid ring vacuum pumps by Busch, with all the advantages of proven technology plus additional refinements.

Dolphin LTs are two-stage vacuum pumps and operate from atmospheric pressure to 25 Torr. The Dolphin LT series is available in a total of eight sizes, allowing an exact match to every process.

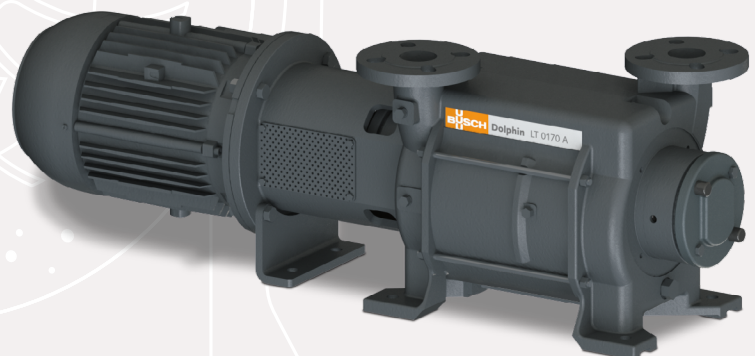
The operating fluid is usually water, but other liquids may be used if required by the process conditions. Dolphin LT liquid ring vacuum pumps may be operated as a simple continuous flow system, or as a partial or total recirculation system.

The precisely dimensioned range of sizes, extensive range of accessories and choice of construction materials allow these vacuum pumps to be perfectly adapted to many different industrial processes.

Dolphin LT technology uses the proven liquid ring principle, with contact-free internal components and virtually isothermal compression.

The LT series has been developed for continuous operation to support a wide range of processes in many industrial sectors, including the chemical and pharmaceutical industries.

**Dolphin LT –
robust principle,
modern design.**



Dolphin LT 0170 A

Dolphin

Liquid Ring Vacuum Pumps LT 0130–0220 A



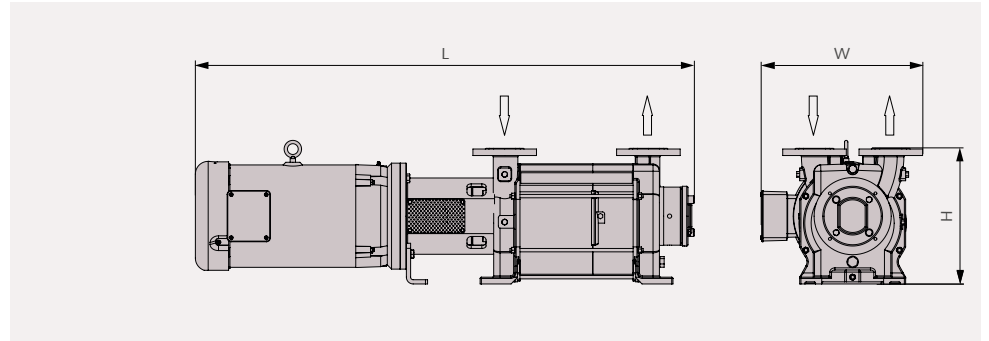
Technical specifications

The Dolphin LT is a series of two-stage liquid ring vacuum pumps. An eccentrically mounted impeller rotates in a housing partially filled with operating fluid. The impeller blades dip into the fluid, and the centrifugal force exerted by their rotation forms a liquid ring within the housing. The pumped medium is transported in the spaces between the blades and the liquid ring. The eccentric rotation of the impeller alters the volume of these spaces, causing gas to be drawn in, compressed and expelled. Operation as a compressor is possible up to 21.75 PSIG. Dolphin LT 0130–0220 A are the three smaller vacuum pumps in a series that comes in a total of eight sizes.

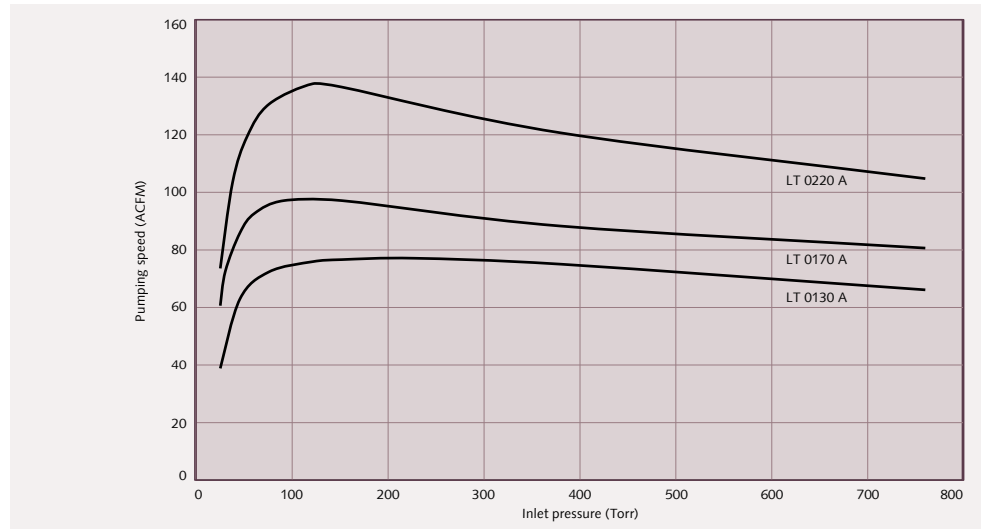
Accessories / Technical options

- Modular pumpsets, configured for partial or total recirculation of the operating fluid
- Liquid separator
- Cavitation protection
- Heat exchanger
- Gas ejector
- Wide selection of motors
- Non-return valves
- Vacuum relief valves

Dolphin LT 0130–0220 A



Pumping speed Air at 70 °F. Tolerance: ± 10%



Technical data		LT 0130 A	LT 0170 A	LT 0220 A
Max. pumping speed	ACFM	77	97	138
Ultimate pressure	Torr	25	25	25
Max. pressure	PSIG	21.75	21.75	17.4
Nominal motor rating	HP	5	7.5	10
Nominal motor speed	RPM	1800	1800	1800
Sound level (ISO 2151)	dB(A)	71	71	71
Approximate weight	Lbs.	304	367	401
Dimensions (L x W x H)	inches	37 7/8 x 14 7/16 x 12 5/8	42 1/2 x 14 7/16 x 12 5/8	46 3/4 x 15 1/16 x 12 5/8
Gas inlet		DN 40 PN 10 / ANSI 1 1/2" / 150 lbs / JIS 40 10K	DN 40 PN 10 / ANSI 1 1/2" / 150 lbs / JIS 40 10K	DN 40 PN 10 / ANSI 1 1/2" / 150 lbs / JIS 40 10K
Gas outlet		DN 40 PN 10 / ANSI 1 1/2" / 150 lbs / JIS 40 10K	DN 40 PN 10 / ANSI 1 1/2" / 150 lbs / JIS 40 10K	DN 40 PN 10 / ANSI 1 1/2" / 150 lbs / JIS 40 10K

All performance data is based on ambient conditions of 14.7 PSIA and 70 °F, and has a tolerance of ± 10%.

Busch LLC

516 Viking Drive | Virginia Beach, VA 23452 | Phone 757-463-7800 | info@buschusa.com | www.buschusa.com

Argentina Australia বাংলাদেশ België Brasil Canada Česko Chile 中国 Colombia Danmark Deutschland España France भारत गणराज्य Ireland ישראל Italia 日本 대한민국 Magyarország Malaysia México Nederland New Zealand Norge Österreich Perú Polska Portugal România Россия Schweiz Singapore South Africa Suomi Sverige 台湾 ประเทศไทย Türkiye الإمارات العربية المتحدة United Kingdom USA

Technical data is subject to change. Created in Germany. MG PL DOLPHINLT01300220A USenus 07/2017 7Aa