

# R 5

## Rotary Vane Vacuum Pumps RA 0025/0040 F



**Robustness and reliability of operation** are the outstanding features of the R 5 rotary vane vacuum pumps. These are some of the reasons that proven Busch technology has long been established as the industry standard. Over 2.5 million R 5 vacuum pumps are in use worldwide in day to day industrial business.

### Reliable and cost effective

The rotary vane technology has been continuously developed and optimized by Busch for over 50 years. With a focus on both economy and operational reliability, high-performing and energy-efficient drive units have resulted from this development.

### Application oriented

The R 5 vacuum pumps are distinguished by high pumping speeds even in low pressure ranges resulting in quick pump-down times. High-quality rotor vanes guarantee long uptimes and the specially-designed air exhaust filters allow excellent oil separation.

### Easy to service

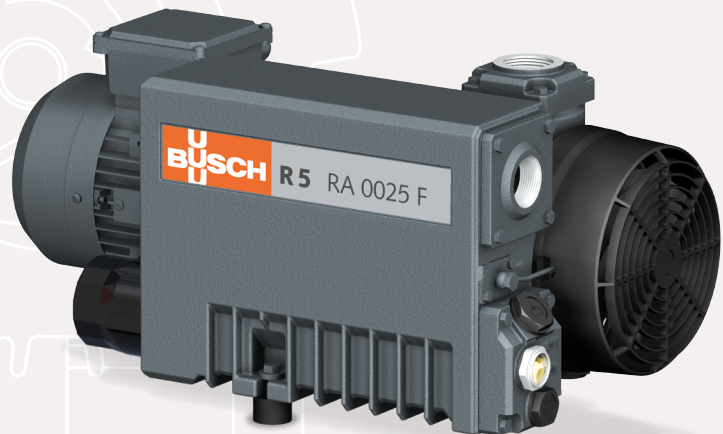
Maintenance can easily be carried out by the operator. Aside from regular maintenance checks and oil and filter changes, no further maintenance is necessary.

R 5 rotary vane vacuum pumps are known throughout the industry for modern and energy-efficient vacuum generation suitable for all kinds of applications – whether it is used intermittently or around the clock, you can rely on the R 5.

The R 5 series includes many more models than described here. Specialized R 5 models are available for certain applications such as pumping very wet gases and vapors, or discharging oxygen or explosive gases.



**R 5 – Proven and reliable.  
Over 2.5 million pumps  
in operation worldwide.**



# R5

## Rotary Vane Vacuum Pumps RA 0025/0040 F



### Technical specifications

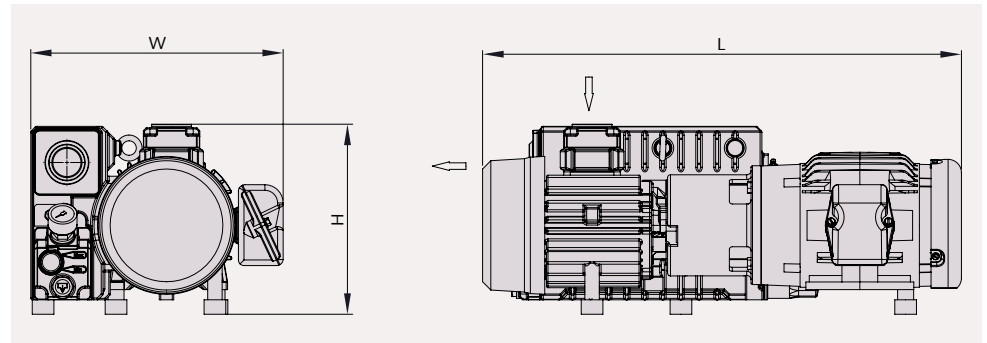
Simplicity of design, operational reliability and high quality are all key features of the rotary vane principle. The consistently high vacuum level in continuous operation is made possible with circulating oil lubrication, well-coordinated materials, and state-of-the-art precision manufacturing. The standard oil separator ensures clean and oil-free exhaust due to its sophisticated extractor system with an integrated oil return.

When fitted with a gas ballast (optional), large amounts of water vapor can be processed. A non-return valve in the inlet flange prevents air from flowing back into the vacuum chamber when the vacuum pump is switched off. The pump is driven by a directly flange-mounted standard electric motor.

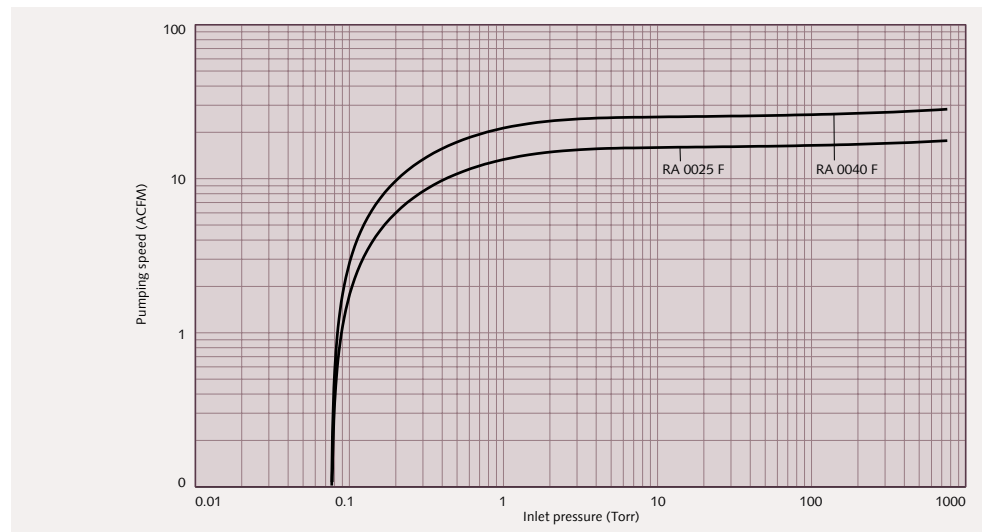
### Accessories/technical options

- Gas ballast valve
- Various inlet filters
- Filter pressure gauge
- Oil level switch
- Vacuum relief valve
- Vacuum oils for many applications

### R5 RA 0025/0040 F



### Pumping speed Air at 70 °F. Tolerance: ± 10%



Technical Data		RA 0025 F	RA 0040 F
Max. pumping speed	ACFM	18	28
Ultimate pressure	Torr	0.075	0.075
Nominal motor rating	HP	1.5	2
Nominal motor speed	RPM	1800	1800
Sound level (ISO 2151)	dB(A)	63	66
Oil capacity	Qts.	1	1
Approximate weight	Lbs.	106	120
Dimensions (L x W x H)	inches	25 1/16 x 13 3/4 x 10 3/8	26 1/16 x 13 11/16 x 10 3/8
Gas inlet / outlet	NPT	1 1/4" / 1 1/4"	1 1/4" / 1 1/4"

All performance data is based on ambient conditions of 14.7 PSIA and 70 °F, and has a tolerance of ± 10%.

### Busch LLC

516 Viking Drive | Virginia Beach, VA 23452 | Phone 757-463-7800 | info@buschusa.com | www.buschusa.com

Argentina Australia België Brasil Canada Česko Chile 中国 Colombia Danmark Deutschland España France भारत गणराज्य Ireland ישראל Italia 日本 대한민국 Magyarország Malaysia México Nederland New Zealand Norge Österreich Perú Polska Portugal România Россия Schweiz Singapore South Africa Suomi Sverige 台湾 ประเทศไทย Türkiye الإمارات العربية المتحدة United Kingdom USA

Technical data is subject to change. Created in Germany MG PL R500250040F USenus 02/2013 3.1